



REX-2000 Mist Eliminator

For large size machine tools or central system connected to a number of small machine tools.
Suitable for machine tools up to 600 ft³ enclosures.
Ideal for high pressure coolant.

The innovative 1st stage mechanical elements separates up to 95% of the mist. The 2nd stage agglomerator is very unique, manufacture in layers of stainless steel wire mesh weaved with oil attracting fibers. Efficiency is high as the air travels through a bed of coarse and fine fibers at a low velocity. Channels between each layer provide exceptional fluid drainage. Optional is a Clean In Place (CIP) system for flushing out congealed coolant concentrate and fine solids. Alternatively, the media can be cleaned in placed with coolant or water hose. On most applications, cleaning is only every 2 years. The 2nd stage media is very durable, lasting up to 10 years. The 3rd stage polishing filter or HEPA filter captures sub-micron mist, smoke and bacteria. Typical life is 1 – 2 years.



Specifications:

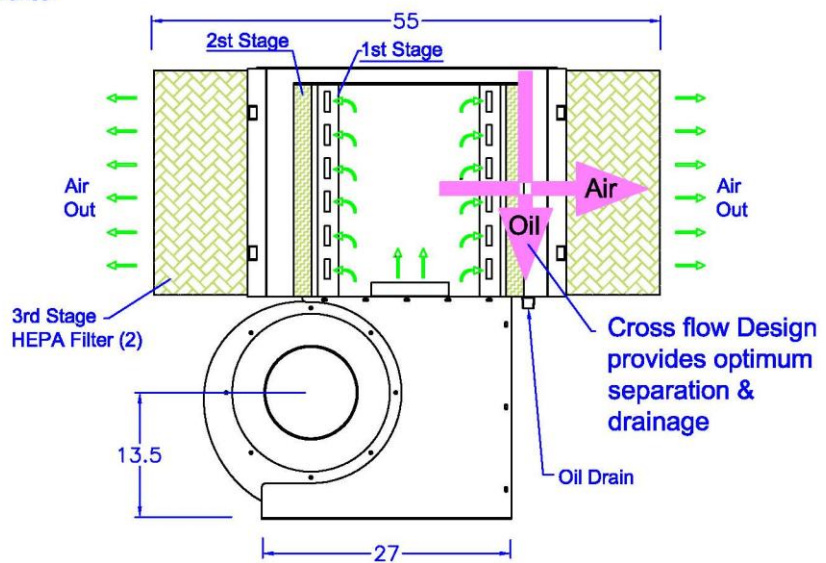
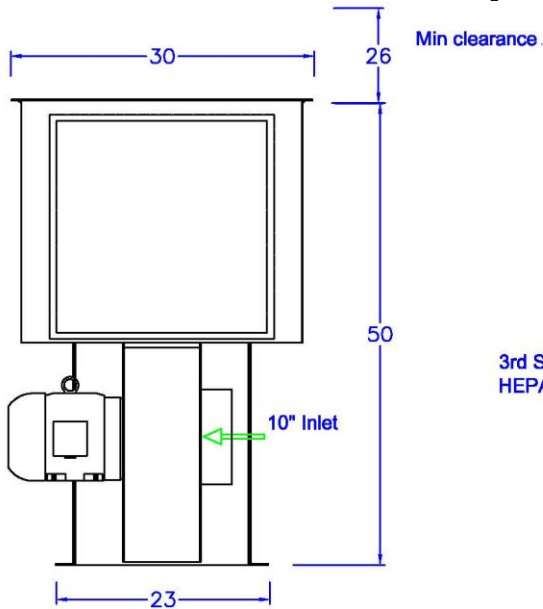
Air flow	1200 – 2000 cfm
Pressure (HEPA)	0 – 3.5" wg
Motor	5 hp
Voltage	230/460/3/60 or 600/3/60
Amperage	12.4/6.2 or 5
Speed	2200 rpm
VFD motor control	Allen-Bradley
Temperature (max)	160°F / 70°F
Weight	360 lbs / 165 kg
Length	55" / 1397 mm
Width	30" / 762 mm
Height	50" / 1270 mm
Inlet connection	10"
Sound level	71 dB(A)
Clean air measurement	less than 0.020 mg/m ³

Optional:

Clean In Place (CIP) System
HEPA pre-filter
Heavy duty 2nd stage agglomerator for fine mist applications
Motor starter control panel

Accessories:

Suction hose
Flange with hose nipple
Chip strainer
VFD 2 speed motor starter/control
Mounting stand



AEROEX International Inc.
90 Ellis Dr.
Barrie, ON, Canada, L4N 8Z3
Tel: 705-734-0549 Fax: 705-734-1013

Sales
Tel: 905-655-7295 Fax: 905-655-7293
e:mail: sales@aeroex.ca

www.aeroex.ca